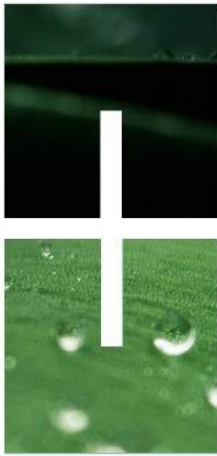




T A B E . L E I S U R E



TAB E.LEISURE

TAB E.LEISURE Li-Ion Monoblocks Batteries are ideal for applications where long lifespan, light weight, higher power, fast charging, and safety are the key. They can be used in a variety of stationary and motive power applications.

Batteries are protected against overcharging, deep discharging, overheating and can be straightforward replacement for most other technology batteries.



MAIN FEATURES



- **LONGER CYCLE LIFE:** Offers up to 20 times longer cycle life and five times longer float/calendar life than lead acid battery, helping to minimize replacement cost and reduce total cost of ownership .
- **LIGHTER WEIGHT:** About 40% of the weight of a comparable lead acid battery. A 'drop in' replacement for lead acid batteries.
- **HIGHER POWER:** Delivers twice power of lead acid battery, even high discharge rate, while maintaining high energy capacity.
- **WIDER TEMPERATURE RANGE:** -20°C~ 60°C.
- **SUPERIOR SAFETY:** Lithium Iron Phosphate chemistry eliminates the risk of explosion or combustion due to high impact, overcharging or short circuit situation.

APPLICATION



- Solar & storage systems
- UPS, back power
- Telecommunications
- Lightning
- Golf Cars
- Wheelchairs
- Toys
- Marine and RV
- Cleaning Machines



FEATURES



SAFETY

- Non-explosive and non-combustible.
- Additional safety layer with PCB/BMS



PERFORMANCE DATA

- 100% capacity available.
- High (1C) discharge currents.
- Full power available throughout discharge with stable discharge voltage and lower internal resistance.



USAGE DATA

- Long life with more than 2.000 cycles.
- Rechargeable with 1C current and 90% recharged within 1 hour.
- Long shelf life.
- Increased energy density due to more efficient packing.



EFFICIENCY

- Highly efficient charging.
- More efficient operation at low temperatures.
- Plug and play charge and discharge.



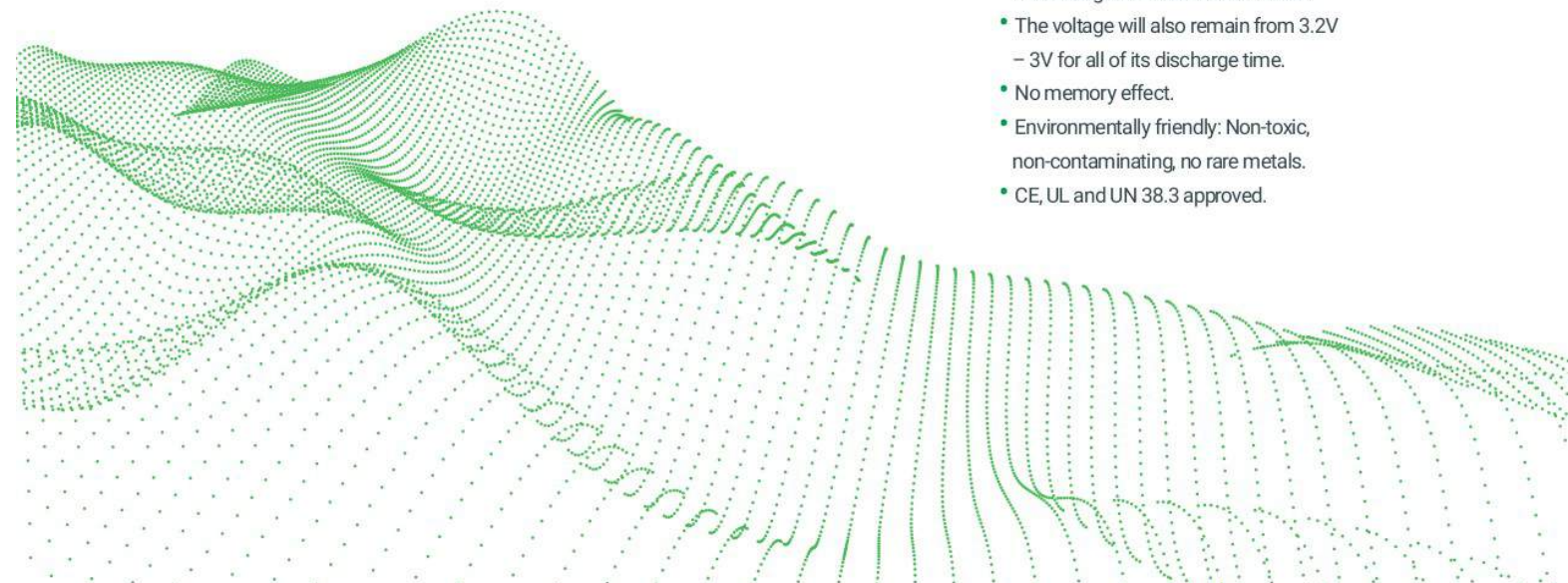
ENVIRONMENT

- Does not contain any acid or heavy metals such as lead, cadmium, or mercury.
- No acid inside, so no problems with leakage.
- No gas emitted.



CHEMISTRY

- High power performance: When discharging, the battery will have constant power through 85% of SOC.
- Extremely safe and stable chemistry.
- Non-explosive and non-combustible when crushed or with a short circuit.
- Long service life: Up to 10 years, and up to 2.000 – 3.000 cycles (under 80% DOD).
- Deep depth of discharge (DOD): The batteries can be fully (100%) discharged.
- The voltage of LiFePO4 is 3.2V/cell.
- The voltage will also remain from 3.2V – 3V for all of its discharge time.
- No memory effect.
- Environmentally friendly: Non-toxic, non-contaminating, no rare metals.
- CE, UL and UN 38.3 approved.



PRODUCT OVERVIEW

- 1 (-) Terminal to connect charger/consumer.
- 2 (+) Terminal to connect charger/consumer.
- 3 Handle for lifting.
- 4 Bottom – we advise keeping the battery bottom down, as shown in the image.



PRODUCT RANGE

Standard delivery of TAB E.LEISURE Monoblocks are with an SOC display for batteries above 40Ah or with Bluetooth.



BATTERY BALANCING

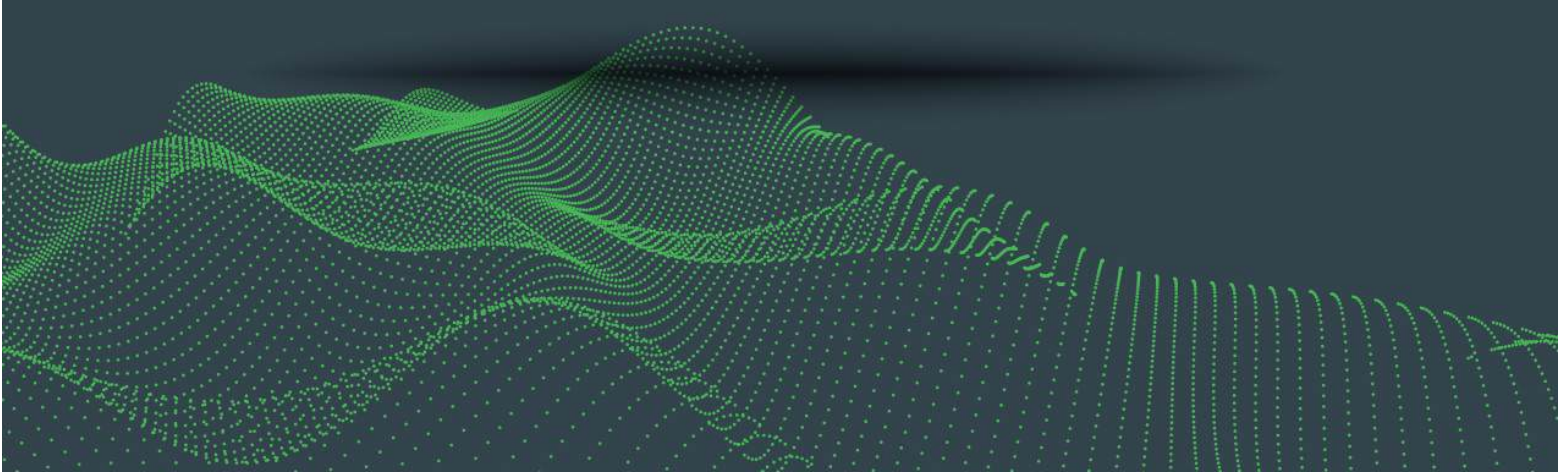


The BMS automatically balances the cells if necessary. Balancing can take place during charging and idle mode and will not have an effect on the functionality of the battery.



E.LEISURE premium

- design life: 15 years
- cycle life: 4,000 cycles with 80% DOD
- good vibration resistance
- good thermal cycling resistance
- no bad cell effect
- allows high charge/discharge currents
- battery cell: 3C rate
- warranty: 3 years
- self-discharge: <1%



SPECIFICATIONS

TAB E.LEISURE PREMIUM								
Code	V	Ah	Wh	Dimensions (mm)			Kg	Terminal
				L	W	H		
HD 6.4-4.5 P	6,4	4,5	28,8	90	70	101	0,6	F1
HD 6.4-7.5 P	6,4	7,5	48	151	34	101	0,9	F1
HD 6.4-10 P	6,4	10	64	151	51	101	1,2	F1
HD 12-4,5 P	12,8	4,5	57,6	90	70	106	0,8	F1
HD 12-6.0 P	12,8	6	76,8	90	70	106	0,8	F1
HD 12-7,5 P	12,8	7,5	96	151	65	94	1,1	F1
HD 12-10 P	12,8	10	128	152	99	96	1,5	F1
HD 12-12 P	12,8	12	153,6	152	99	96	1,7	F2
HD 12-18 P	12,8	18	230,4	181	77	168	2,7	M5
HD 12-20 P	12,8	20	256	181	77	168	3,0	M5
HD 12-26 P	12,8	26	332,8	166	175	125	4,2	M5
HD 12-33 P	12,8	33	422,4	195	130	180	4,8	M6
HD 12-40 P	12,8	40	512	197	165	170	5,8	M6
HD 12-45 P	12,8	45	576	197	165	170	7,5	M6
HD 12-50 P	12,8	50	640	228	134	215	6,8	M6
HD 12-55 P	12,8	55	704	228	138	228	8,1	M6
HD 12-60 P	12,8	60	768	228	138	228	8,8	M6
HD 12-65 P	12,8	65	832	260	168	208	9,3	M6
HD 12-75 P	12,8	75	960	260	168	208	10,8	M6
HD 12-80 P	12,8	80	1024	259	168	208	10,8	M6
HD 12-100 P	12,8	100	1280	330	173	212	13,6	M8
HD 12-100S P	12,8	100	1280	305	168	210	12,0	M8
HD 12-100L P	12,8	100	1280	355	175	190	13,2	M8
HD 12-120S P	12,8	120	1536	330	173	212	13,6	M8
HD 12-120 P	12,8	120	1536	410	173	212	13,6	M8
HD 12-150 P	12,8	150	1920	483	170	238	16,5	M8
HD 12-200 P	12,8	200	2560	522	240	224	27,0	M8
HD 12-250 P	12,8	250	3200	522	240	224	31,5	M8
HD 12-300 P	12,8	300	3840	522	268	224	32,5	M8
HD 12-16 P	12,8	16	204,8	168	128	75	2,2	T bar
HD 12-18 P	12,8	18	230,4	181	77	167	3,0	T bar
HD 12-22 P	12,8	22	281,6	168	128	126	3,0	T bar
HD 24-6 P	25,6	6	153,6	152	99	96	1,7	F2
HD 24-10 P	25,6	10	256	181	77	167	2,8	M5
HD 24-20 P	25,6	20	512	195	130	180	3,6	M6
HD 24-50 P	25,6	50	1280	330	173	212	13,6	M8
HD 24-75 P	25,6	75	1920	483	170	238	16,5	M8
HD 24-100 P	25,6	100	2560	522	240	220	27,6	M8
HD 24-125 P	25,6	125	3200	522	240	220	29,6	M8
HD 24-150 P	25,6	150	3840	522	268	224	29,6	M8



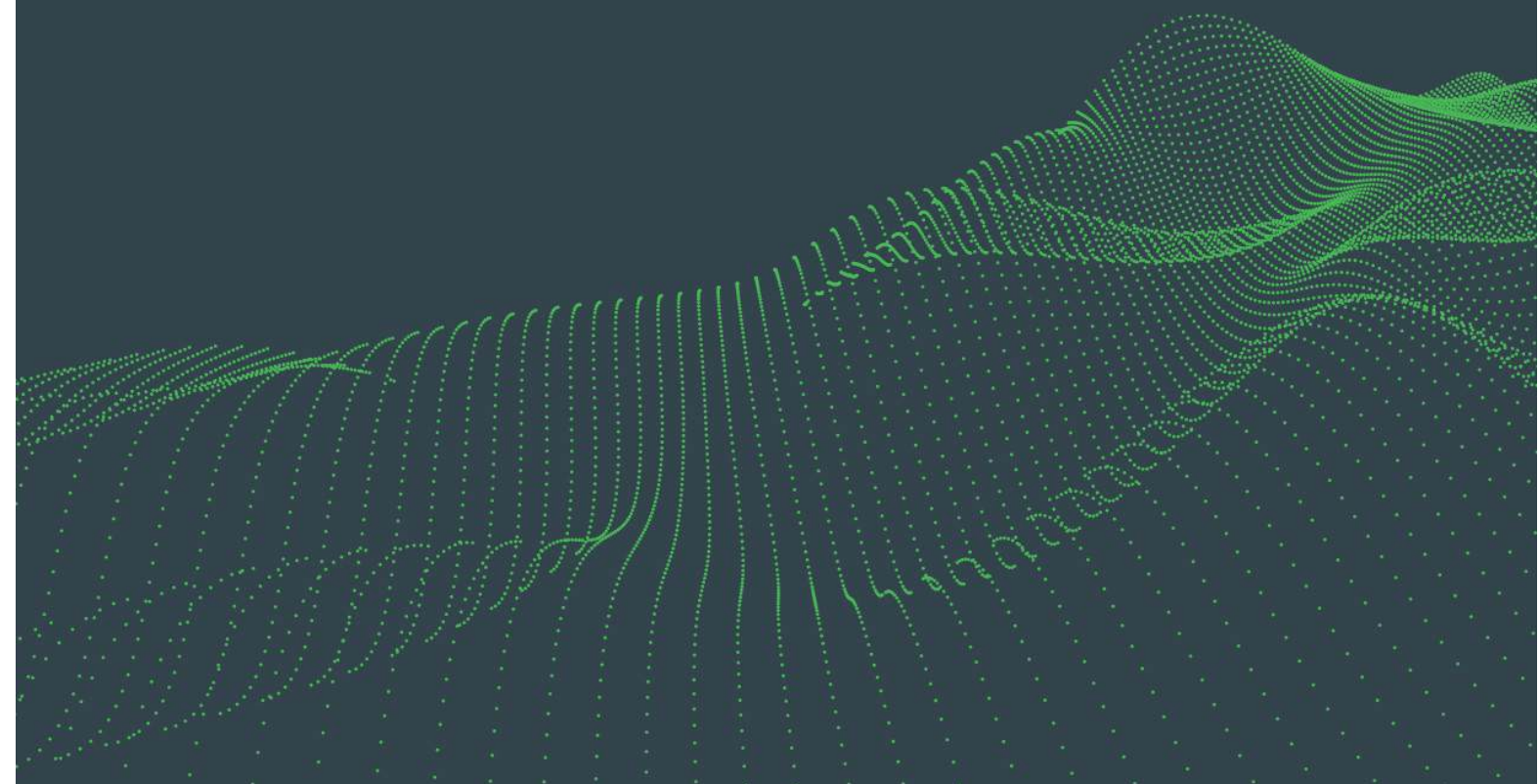
E.LEISURE *clever*

- design life: 10 years
- cycle life: 2.000 cycles with 80% DOD
- good vibration resistance
- good volume efficiency
- allows high charge/discharge currents
- good price efficiency
- battery cell: 1C rate
- warranty: 1 year
- self-discharge: <1%



SPECIFICATIONS

TAB E.LEISURE CLEVER								
Code	V	Ah	Wh	Dimensions (mm)			Weight	Terminal
				L	W	H	Kg	
HD 12-7,5 C	12,8	7,5	96	151	65	94	1,1	F1
HD 12-10 C	12,8	10	128	151	99	94	1,5	F1
HD 12-12 C	12,8	12	153,6	152	99	96	1,7	F2
HD 12-20 C	12,8	20	256	181	77	167	3,0	M5
HD 12-33 C	12,8	33	422,4	195	130	180	4,8	M6
HD 12-40 C	12,8	40	512	197	165	170	5,8	M6
HD 12-50 C	12,8	50	640	228	134	215	6,8	M6
HD 12-65 C	12,8	65	832	260	168	208	9,3	M6
HD 12-75 C	12,8	75	960	260	168	208	10,8	M6
HD 12-80 C	12,8	80	1024	259	168	208	10,8	M6
HD 12-100 C	12,8	100	1280	330	173	212	13,6	M8
HD 12-100L C	12,8	100	1280	355	175	190	13,2	M8
HD 12-120 C	12,8	120	1536	410	175	225	13,6	M8
HD 12-150 C	12,8	150	1920	483	170	238	16,5	M8
HD 12-200 C	12,8	200	2560	522	240	224	27,0	M8
HD 12-250 C	12,8	250	3200	522	240	224	31,5	M8
HD 12-300 C	12,8	300	3840	522	268	224	32,5	M8
HD 24-50 C	25,6	50	1280	330	173	212	13,6	M8
HD 24-75 C	25,6	75	1920	483	170	238	16,5	M8
HD 24-100 C	25,6	100	2560	522	240	220	27,6	M8
HD 24-150 C	25,6	150	3840	522	268	224	29,6	M8



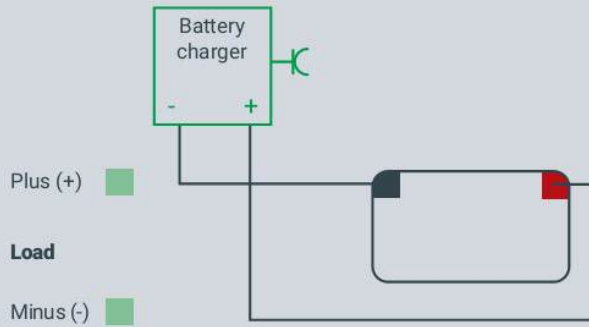


CONNECTING THE BATTERY

Use an appropriate wire for the connection wires to ensure no overheating or unnecessary losses occur. Use appropriate fuses matching the wires and load.

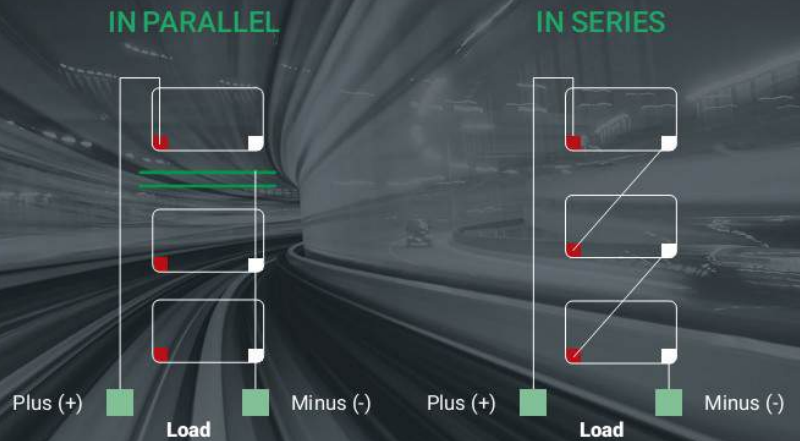
CHARGING

TAB d.d. lithium iron phosphate batteries can be charged in 1 hour.



CONNECTING IN SERIES AND PARALLEL

The maximum number of batteries in parallel is 20pcs and the maximum number of batteries in series is 4pcs. To divide the current equally among batteries, use the schematic bellow.





TAB d.d., POLENA 6, SI-2392 MEŽICA, SLOVENIA, e: info@tab.si, w: www.tab.si, t: +386 2 87 02 300, f: +386 2 87 02 305

TAB MAK d.o.o.e.l
 MAKEDONSKI REVOLUCIONERI 50
 2210 PROBISHTIP
 MACEDONIA
 e: info@tab-mak.mk
 w: www.tab-mak.mk
 t: +389 3 24 81 501
 f: +389 3 24 81 502

TAB POLSKA Sp. z o.o.
 UL. POPREZECZNA 15
 05 083 WIERZBIN
 POLAND
 e: buiro@tab-polska.pl
 w: www.tab-polska.pl
 t: +48 22 666 15 67
 f: +48 22 666 16 02

BATERIJA-TAB HRVATSKA d.o.o.
 DUGOSELKA 102
 1360 SESVETE
 CROATIA
 e: ured@baterija.hr
 w: www.baterija.hr
 t: +385 1 233 9 233
 f: +385 1 233 0 737

TAB ITALIA SpA
 VIA XXV APRILE 1945, N. 8
 24050 ZANICA (BG)
 ITALY
 e: info@tabitalia.com
 w: www.tabitalia.com
 t: +39 0363 60528
 f: +39 0363 62692

TAB BATERIJE d.o.o.
 ZEMUNSKA 301
 11277 UGRINOVCI
 SERBIA
 e: office@tabbaterije.rs
 w: www.tabbaterije.rs
 t: +381 11 377 4452
 f: +381 11 377 4452

TAB SPAIN S.L
 C / LAGASVA, 26 1- DERECHA
 28001 MADRID SPAIN
 e: info@tabspain.com
 w: www.tabspain.com
 t: +34 910 880 066
 f: +34 910 880 033

PURE ENERGY, MAXIMUM POWER



TAB Tovarna Akumulatorskih Baterij, d.d.
Tel: +386 2 87 02 300 Web: www.tab.si

Polena 6, SI-2392 Mezica, Slovenia
E-mail: info@tab.si

TAB 
Li-Ion batteries